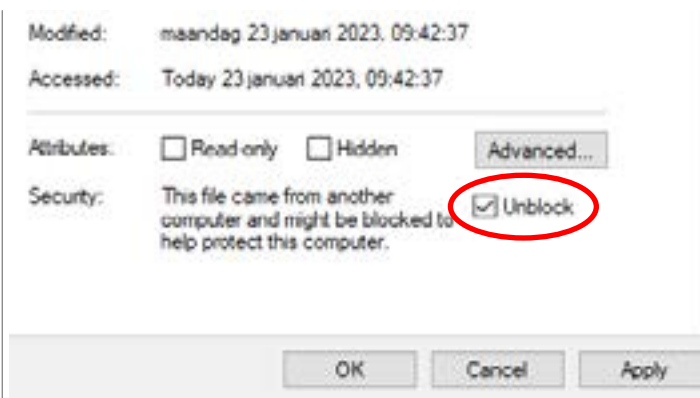


Software update instructions - Sprso

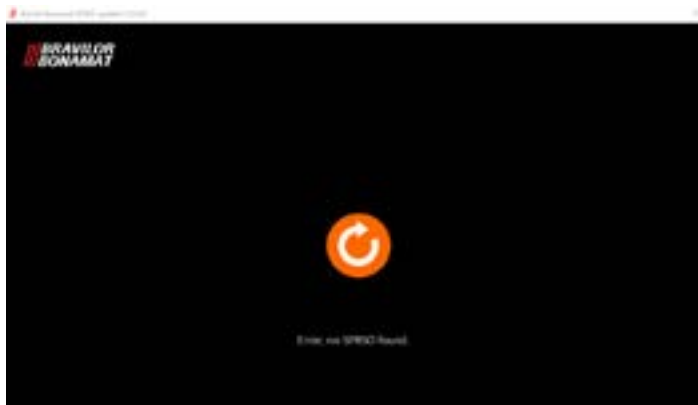
- ▶ *The update will overwrite all software, including all personal settings (the water and grinder calibration values remain unchanged).*

Necessities:

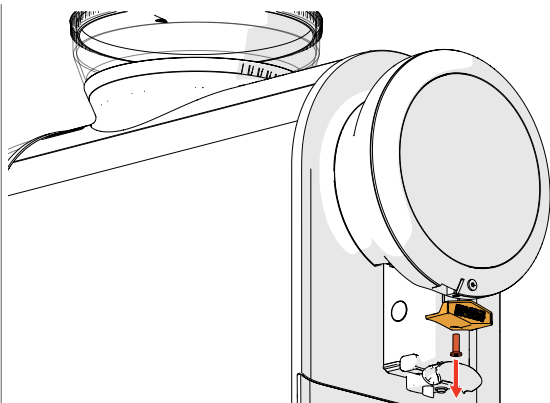
- Windows device (windows 7 or later)
- USB cable (USB-a to USB-c)
- torx 10 screwdriver
- ▶ *USB-c to USB-c does not work.*



- download the zip-file from our website
- extract the file to a folder
- right-click on the file to open its properties
- check the **“unlock”** box
- click 'OK' to confirm



- ▶ *The Sprso must be connected to the mains.*
- start the application, the screen on the left will appear followed by the next screen



Preparation of the Sprso:

- remove the screw from the brand name buckle
- remove the brand name buckle (the usb-c connection becomes available)
- plug in the usb-c cable on the Sprso
- plug in the usb-a cable on the windows device



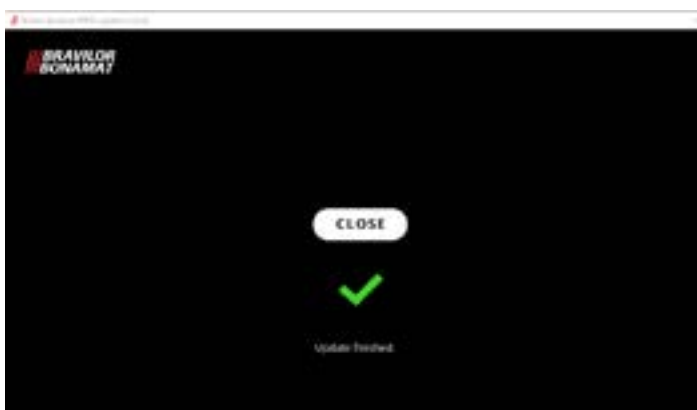
- ▶ The update will overwrite all personal settings
- press **"start"** to overwrite the software



- Progress screen:
- wait until the process is finished



Progress screen Sprso



- the procedure is completed and the Sprso will automatically restarts
- press **"close"** to exit the application
- unplug the USB cable
- reattach the brand name buckle
- re-enter your personal settings